



# NIPPON STEEL



## Company Profile



NIPPON STEEL METAL PRODUCTS CO.,LTD.

## Nippon Steel Metal Products Co., Ltd.:

As the core member of Nippon Steel Group, is the leading manufacturer in the field of cold roll formed steel products for building construction and civil engineering usage, and has developed a high degree of expertise for their applications.



Representative Director and President  
**Tomoaki Nakagawa**

## SUMMARY OF COMPANY

### Date of Establishment

April 20, 1973

### Capital

5,912 million JPY

### Total Sales

117 billion JPY (FY2017, Consolidated)

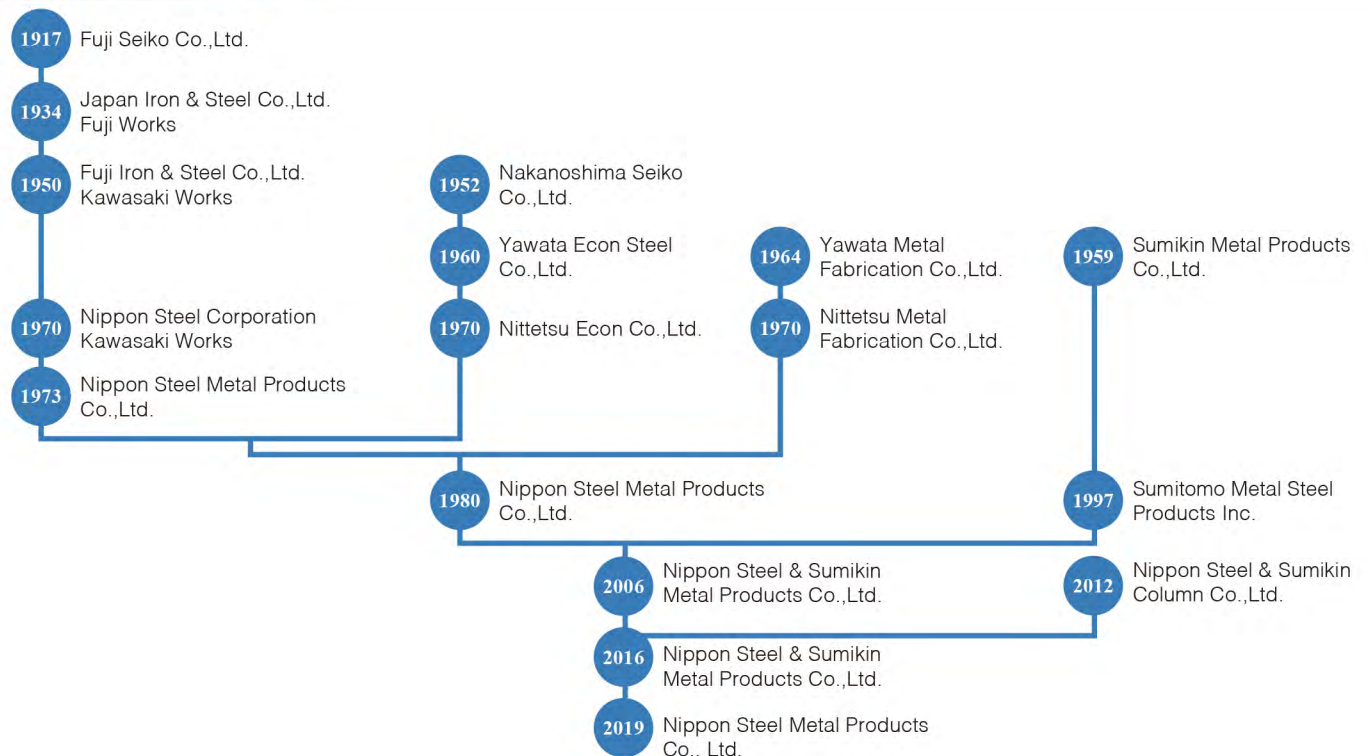
### Shareholders

Nippon Steel Corporation – 100%

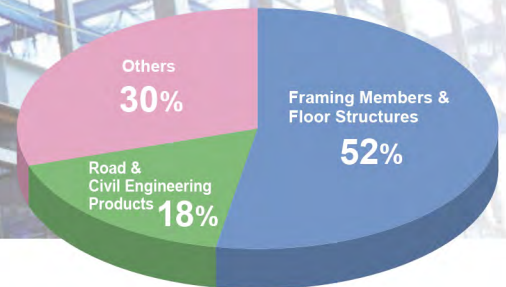
### Board of Directors

Representative Director and President	—————	Tomoaki Nakagawa
Managing Director, MoB	—————	Masanori Kinoshita Yoshiya Endo Akihiro Tani Akira Maeda Takehiko Furukawa
Director, MoB	—————	Toshimasa Omori Atsushi Ijima
Managing Director	—————	Junichi Imade Masahiro Tokunaga Yoshiki Oyama Hiroshi Furukawa

## COMPANY HISTORY



# PRODUCTS



## BUILDING PRODUCTS

### BUILDING PRODUCTS

Hollow Structural Section (HSS)  
 ASTM A 500 • CSA G40.20-04 . EN 10219  
 AS /NZS 1163 • JIS G 3466 • MDCR 0002  
 Light Gauge Section

### FLOOR STRUCTURES (Deck plate)

## SURFACE DESIGNED MATERIALS

PVC Film-Laminated Metal Sheet  
 PVF Film-Laminated Metal Sheet (FLUORBOND)  
 Painted Metal Sheet

## ROAD PRODUCTS

Guardrails  
 Self-Cleaning Coated Guardrails  
 Guard Pipes  
 Guard Cables  
 Pavement Fences  
 Acoustic Panel  
 Noise Reducer  
 Sound Absorbing Panel  
 (Silent Road Louver Type and Panel Type)  
 Translucent Glass Panel (Sound Insulation Panel)

## CHEMICAL MATERIALS FOR STEEL PRODUCTION

Mold Flux for Continuous Casting

## CIVIL ENGINEERING PRODUCTS

### CIVIL ENGINEERING PRODUCTS

Corrugated Pipe  
 U-Flume  
 Liner Plate  
 ES Culvert  
 Cold Roll Formed Sheet Piles

### CIVIL ENGINEERING STEEL STRUCTURE

Steel Frame Dam (Steel Flexible Frame)  
 Steel Slit Dams (Type A,B and T)  
 Rockfall Prevention Wall  
 Avalanche Prevention System  
 Gabion Boxes (Lightweight Steel Retaining Walls)  
 Slope Stabilization Method (NONFRAME METHOD)  
 Marine Barrier  
 Sabo Soil Cement Method  
 NONFRAME Method

### SCAFFOLDING PRODUCTS

STEEL BEATTY GUARD  
 Movable Elevating Scaffold (UP STAR 21 Jr/25/36)  
 Scaffold & Timber Support (TS Support)

## FENCE PRODUCTS

Mesh Fences  
 Net Fences  
 Hight Fences  
 Snow / Wind / Sand / Dust Protection Fences

## POLE PRODUCTS

Transmission / Distribution line pole  
 Multipurpose Pole  
 Antenna mast  
 Panzer Mast

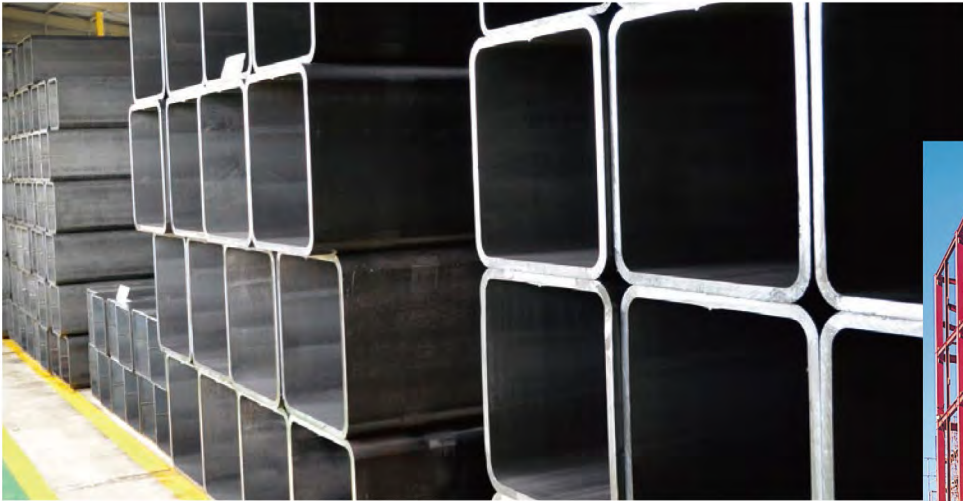
# Main Products

## Building Products

We produce square and rectangular hollow structural sections with sizes up to 22.0\*22.0\*0.875inch (550\*550\*25.0mm), one of the world's largest sizes manufactured by cold roll forming. Light gauge sections are also produced as our building products.

Its uniformity and variation in national standards are given high reputation from customers all over the world.

### Hollow Structural Section (HSS)

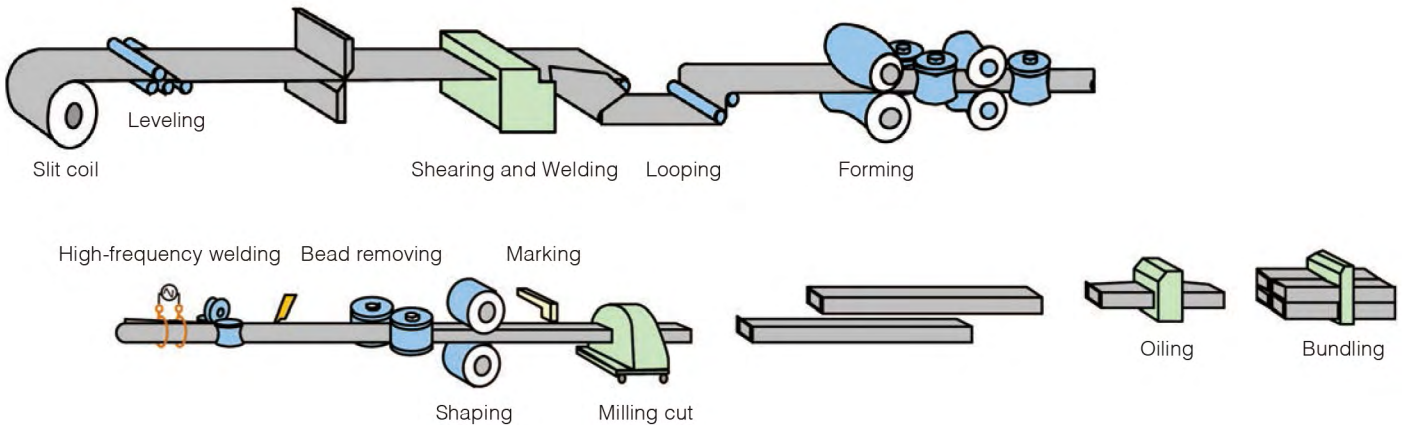


Square HSS



Shopping center

### Manufacturing process



### Light Gauge Section (LGS)



LGS



Truss structure roof using LGS

# Civil Engineering Products

## Metal Form

Steel made concrete forming material produced by NSMP, the pioneer in Japan, has equal or greater capacity as JIS A8652 and high accuracy. This forms a beautiful and uniformed finishing surface to last for a long time.



During construction

After construction

## Road Products

We produce wide range of products to cope with noise reduction, high-speed collision, landscape and such other road related problems.



Guardrails



Acoustic Panel

## Pole Products



Transmission / Distribution line mast

Panzer Mast (PZM) is an assembly-type steel pole developed for overhead power transmission lines. PZM is assembled from tapered steel tubular units, each measuring two meters in length. Each unit has a different diameter and can be placed inside the larger ones. Therefore, PZM has many advantages such as ease of storage, transportation and installation at the mountain side and the narrow space. (Transmission / Distribution line mast, Antenna mast, Lightning rod, Flag pole and etc.)

## Scaffolding Products

Being the Japanese pioneer manufacturer, we supply safe, easy to use, durable and functional products.



Frame type Scaffold



Movable Elevating Scaffold

# Main Products

## Civil Engineering Products

### Corrugated Pipe, Cold Roll Formed Sheet Pile, U-flume

Our civil engineering product line-up contributes to various construction works to improve and enrich the infrastructure. They can be used for constructing water channels, underpasses, drainage systems, water/sand storage tanks, tunnels, temporary works and many more.



U-Flume



Cold Roll Formed Sheet Pile



Liner Plate, Catchment Well

### Disaster Prevention Products

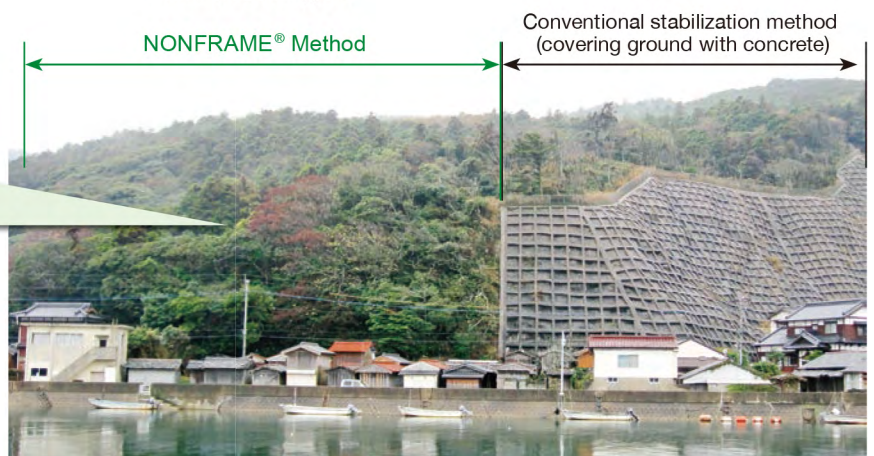
With reliability and originality, we can propose suitable methods to stabilize slope, stop debris flow and mitigate various types of damages caused by natural disasters such as landslides, earthquakes, typhoons, floods, debris flows, heavy rain, tsunami, etc.



Steel Slit Dam Type B



Steel Frame Dam



NONFRAME® Method

## Surface Designed Materials

- PVC Film-Laminated Metal Sheet
- PVF Film-Laminated Metal Sheet (FLUORBOND)

Our Surface designed materials include laminated and painted steel sheets, applied for housing interior or exterior, buildings, factories, sound proof walls for highways and many more. One of the products, FLUORBOND is made by laminating fluoropolymer film on the surface of high quality galvanized steel, stainless steel or aluminium, so it is exceptionally strong against weather, corrosion, abrasion, chemical solvent and stain.



Wall for bathing room



Noise Barrier for highway



Renovated in 2010

Constructed in 1984

Hardly no change seen after 30yrs.

FLUORBOND



Exterior wall material for office building

## Floor Structures

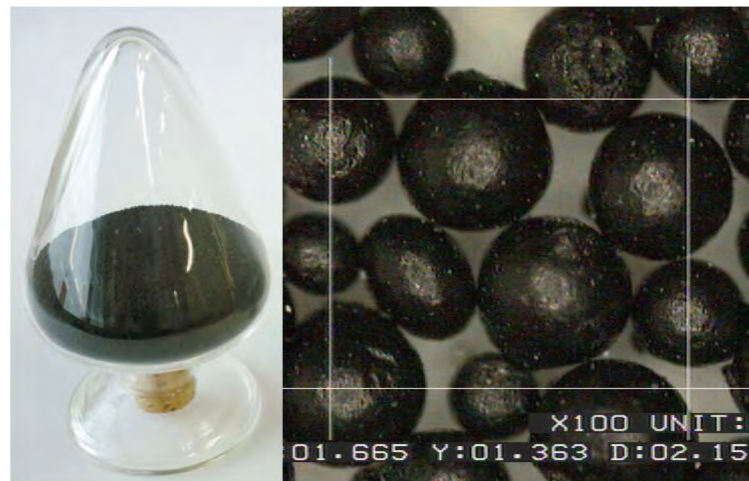
Floor structures include deck plates for composite slab, unidirectional slab, structural floor, frame work, roof and wall.



Deck plate

## Chemical Materials for Steel Production

As the largest manufacturer of continuous casting powder in Japan, we provide high quality products contributing to the improvement of productivity and quality of steel.



Mold Flux for Continuous Casting

★ **HEAD office**

〒135-0042 SA Bldg., 17-12, Kiba 2-chome, Koto-ku, Tokyo, Japan  
 Overseas Business Development Dept.  
 Phone : +81-3-3630-2903 Fax : +81-3-3630-2916  
 E-mail:nikken-infoE@ns-kenzai.co.jp http://www.ns-kenzai.co.jp/english

**Branch**

- ① HOKKAIDO Branch
- ② TOHOKU Branch
- ③ NIGATA Branch
- ④ SHIZUOKA Branch
- ⑤ NAGOYA Branch
- ⑥ HOKURIKU Branch
- ⑦ OSAKA Branch
- ⑧ SHIKOKU Branch
- ⑨ CHUGOKU Branch
- ⑩ KYUSHU Branch
- ⑪ TAIWAN Representative Office
- ⑫ Representative office in HANOI

**Works**

- ⑬ SENDAI Works
- ⑭ KIMITSU Works
- ⑮ NOGI Works
- ⑯ OSAKA Works
- ⑰ HIROHATA Works
- ⑱ BUZEN Works
- ⑲ TOBATA Works



**Foreign Subsidiaries**

- ⑳ Shanghai Nikken Dazhong Refining Steel Material Co., Ltd.  
LuoNing Road, 2075 BaoShan District, Shanghai 200949, China Tel +86-21-56873046
- ㉑ NIKKEN & CSSC METAL PRODUCTS CO., LTD. Taipei Office  
10F, No 58 Sec 3, Mincyuan E Rd, Jhongshan District, Taipei 10477, Taiwan Tel +886-2-2517-1500
- ㉒ NIKKEN & CSSC METAL PRODUCTS CO., LTD. Kaohsiung Office  
No 500 Zhongxing Rd, Yanchao District, Kaohsiung 82447, Taiwan Tel +886-7-616-8688
- ㉓ NIPPON STEEL METAL PRODUCTS VIETNAM CO., LTD.  
Km 7, Highway 18, Phuong Lieu, Que Vo, Bac Ninh, Vietnam Tel +84-241-3617568
- ㉔ PNS Advanced Steel Technology, Inc.  
Unit No.1512, Cityland Herrera Tower, 98 V. A. Rufino St. corner Valero St., Salcedo Village, Makati City 1200, Philippines Tel +63-2-843-0741